

“Finally, affordable motion to go with your Microsoft Flight Simulator or rFactor setup”...

CKAS Mechatronics takes great pleasure in introducing the **T5 2DOF Motion System**: The T5 is a consumer economic fully **electric, USB** plug and play, motion system targeted at **flight and vehicle simulation and entertainment**.

Some Key features of the CKAS T5 2DOF are:

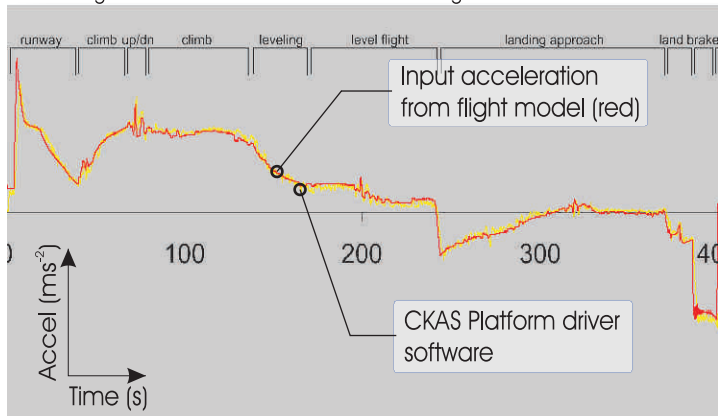
- **Excellent Value** - Designed for price sensitive and home use applications.
- **2 Degree-of-Freedom** Pitch and roll - with emulated heave axis.
- **Fully electric** - No messy, noisy hydraulics.
- **USB Plug and play** - just connect it to a PC, turn the power on, and the unit is ready.
- All **Washout Filters** and software to drive the Motion System are included.
- Fully compatible with **Microsoft Flight Simulator™, X-Plane™** and **rFactor™**.
- Carries up to **450kg Payload** - enough for a full multi crew simulator.
- **Small and compact** - ideal even for mobile applications on trailers or light trucks.



“MAKE YOUR MOVE”...

The **CKAS T5 2DOF Motion System** is ideal for any home cockpit/vehicle setup based on **Microsoft Flight Simulator™, X-Plane™** or **rFactor™**. With the replication of the 2 most important axis in simulation, pitch and roll, the flight or driving experience is highly realistic. Although, ideally in commercial simulation, 6 axes are required (like CKAS V Series 6DOF Motion Systems), there are various methods CKAS use in software to emulate some of the missing axes, in particular the heave axis (up and down). The **CKAS T5 2DOF Motion System** has no competition at this price for entry level motion.

Linear Longitudinal Acceleration of a Cessna 172 Flight



Microsoft Flight Simulator is a registered trademarks of the Microsoft Corporation. rFactor is a registered trademark of Image Space Inc. X-Plane is a registered trademark of Laminar Research



USE YOUR MOBILE TO SCAN ONE OF THESE CODES AND BE TAKEN DIRECTLY TO THE CKAS WEBSITE



FACTORY 3 / 42 GLOBAL DRIVE
TULLAMARINE, VICTORIA
AUSTRALIA 3043

P: +61 3 8683 8960
F: +61 3 9338 4619
E: INFO@CKAS.COM.AU
W: WWW.CKAS.COM.AU



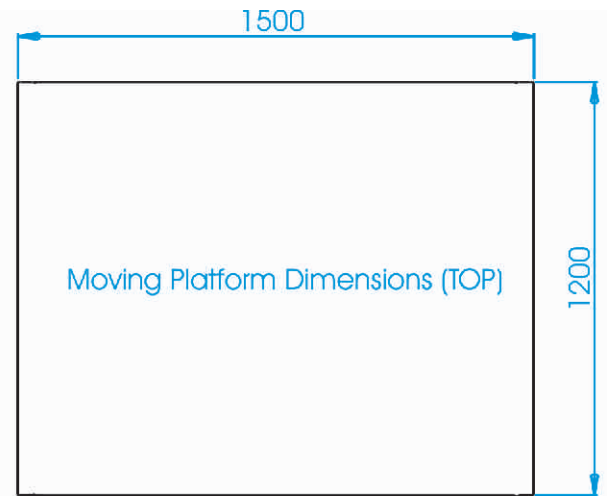
CKAS
MECHATRONICS PTY LTD

Architecture PR 2DOF Crank arm
 Actuation Fully Electric
 Approx Dimensions 1740 x 1740 x 915 (parked)
 Power Requirements 220 - 240 VAC 7 Amps
 Approx weight of unit 200kg

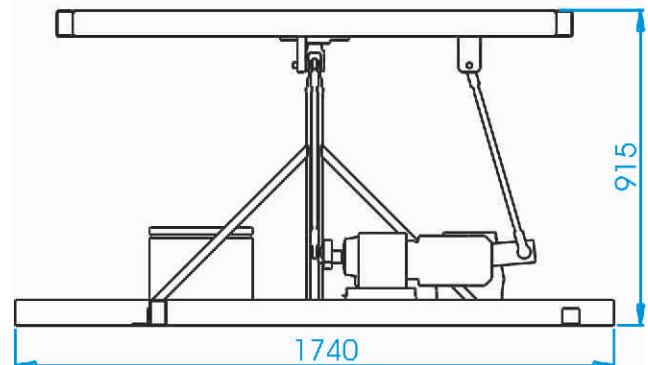
Pitch Axis
 Angular Displacement $\pm 18^\circ$
 Angular Velocity $\pm 30^\circ / \text{sec}$
 Angular Acceleration $\pm 60^\circ / \text{sec}^2$
 Max Payload Moment of inertia 250 kg m^2

Roll Axis
 Angular Displacement $\pm 18^\circ$
 Angular Velocity $\pm 30^\circ / \text{sec}$
 Angular Acceleration $\pm 60^\circ / \text{sec}^2$
 Max Payload Moment of inertia 250 kg m^2

Max Payload 450 kg (CG over Centroid)



Motion System Dimensions (LEFT)



*Dimensions subject to change without notice

"Become a Motion Snob"...

Motion Snob [moh-shuhn-snob] -noun

1. An individual who is accustomed to the use of high fidelity motion, when operating a simulator of any kind, resulting in that person being condescending towards or disdainful of, simulation devices without motion. The simulation experience without high fidelity motion is one of boredom for this individual.

2. A person who refuses to use any simulator (either Flight or Vehicle Simulator) that is not mounted on a high fidelity motion system.

For the first time, every home enthusiast now has the opportunity to have real motion simulation in their own home, and become a true **"Motion Snob"**...

It's finally time to **"Make your move"**...

Included with CKAS T5 2DOF Motion System:

- CKAS T5 2DOF Motion System Hardware
- CKAS 2DOF Platform Driver Washout algorithm software (to interface with Microsoft Flight Simulator, rFactor, X-Plane or generic UDP app.)
- CKAS T5 2DOF Platform Test Software
- Instruction manual
- Cabin Design guide for a successful simulator build
- 1 year limited faulty parts warranty

Microsoft Flight Simulator is a registered trademarks of the Microsoft Corporation. RFactor is a registered trademark of Image Space Inc. X-Plane is a registered trademark of Laminar Research



USE YOUR MOBILE
 TO SCAN ONE OF
 THESE CODES AND
 BE TAKEN DIRECTLY
 TO THE CKAS WEBSITE



FACTORY 3 / 42 GLOBAL DRIVE
 TULLAMARINE, VICTORIA
 AUSTRALIA 3043

P: +61 3 8683 8960
 F: +61 3 9338 4619
 E: INFO@CKAS.COM.AU
 W: WWW.CKAS.COM.AU